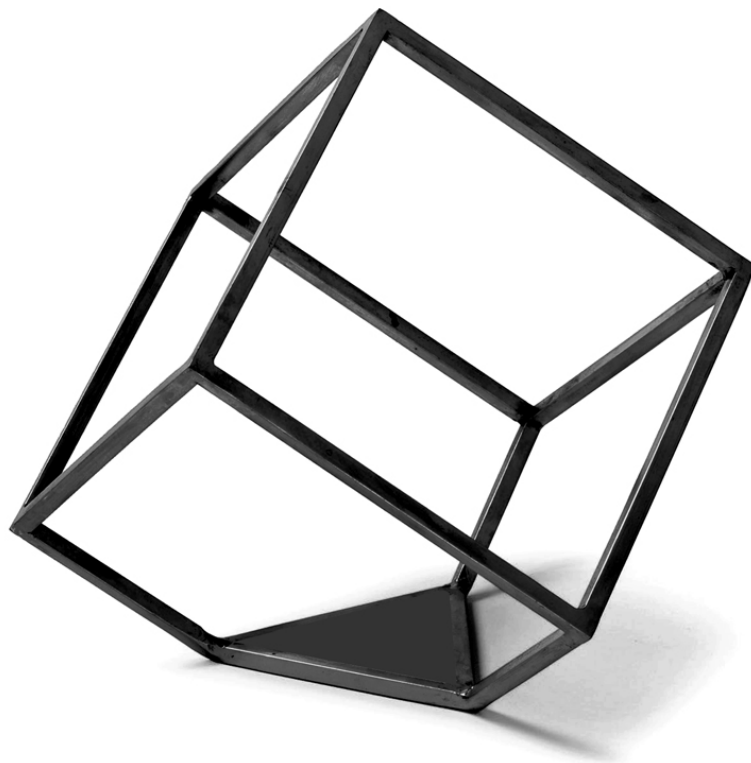


Rubix Line Wall Sculpture

URS112BLK

URBAN
ROAD
— URBANROAD.COM.AU



A playful, geometric piece featuring a hollow, tilted black cube - perfect for matching with Rubix Flat and Rubix Skewed to create a graphic wall feature. Available in black or gold.

CARE INSTRUCTIONS: Dust as needed with a soft, slightly damp microfibre cloth. Do not use chemicals. Not suitable for outdoor use.

SPECIFICS:

Dimensions (LxWxD): 8x8x8cm

Hanging System: Sits flush to wall

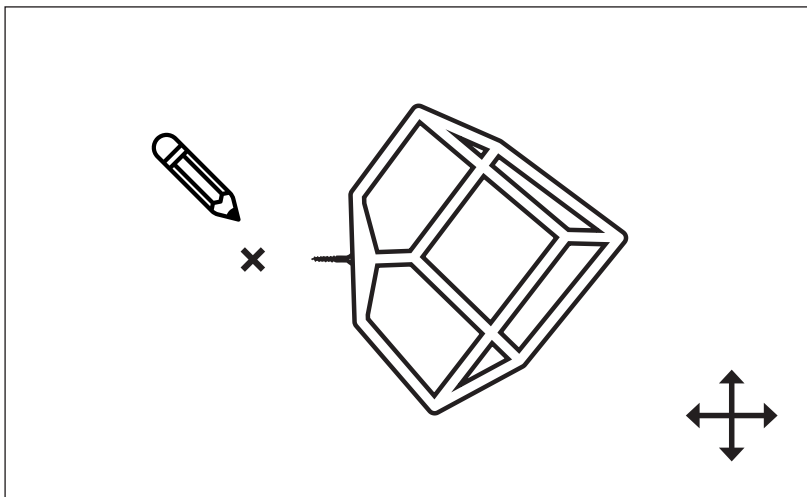
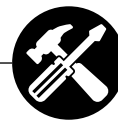
Material: Iron

Finish: Matt

Colour: Black

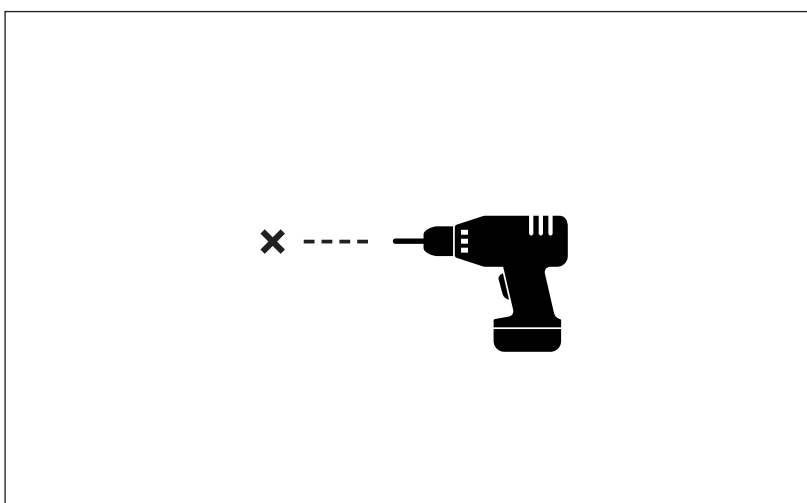
Installation Guide

Please note that different wall types require specific screws and plugs to ensure structural integrity. We recommend that the sculpture is installed by a professional art installer. Please consult with a professional before installation.



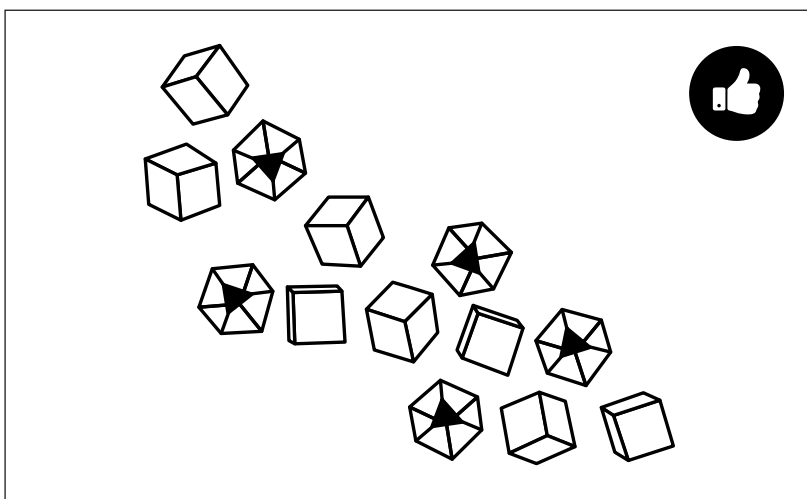
STEP 1:

Decide on the positioning of your Rubix Wall Sculpture, and use a pencil to mark the placement on the wall.



STEP 2:

Lightly drill a hole into the wall at the marked point.



STEP 3:

Use the affixed screw at the back of the sculpture to secure it in place. Repeat process as necessary with additional Rubix Wall Sculptures to build a feature.