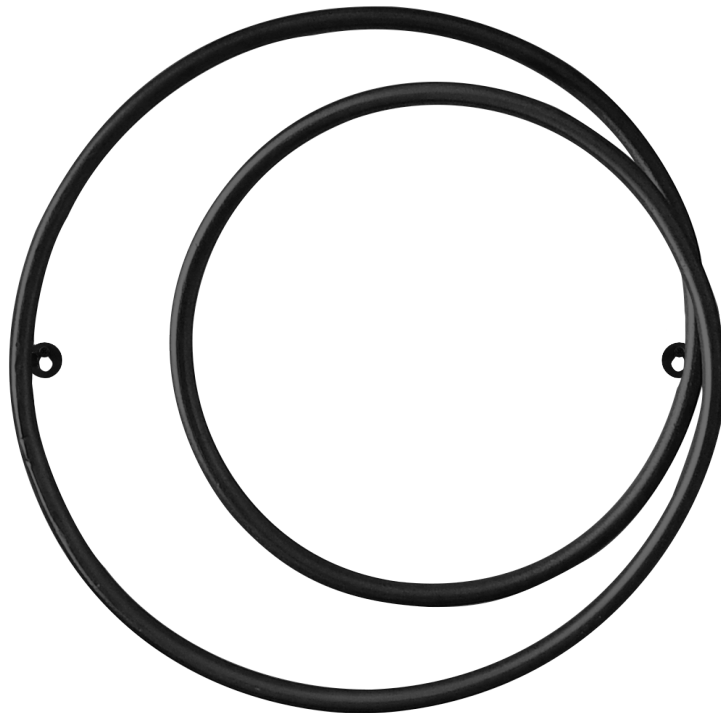


Coil Wall Sculpture

URS103BLK

URBAN
ROAD

— URBANROAD.COM.AU



An intricately structured iron sculpture that features a circular, looped line. Pairs with Whirl sculpture. Available in black, white or gold.

CARE INSTRUCTIONS: Dust as needed with a soft, slightly damp microfibre cloth. Do not use chemicals. Not suitable for outdoor use.

SPECIFICS:

Dimensions (LxWxD): 25x25x2cm

Hanging System: Sits 2.5cm from wall

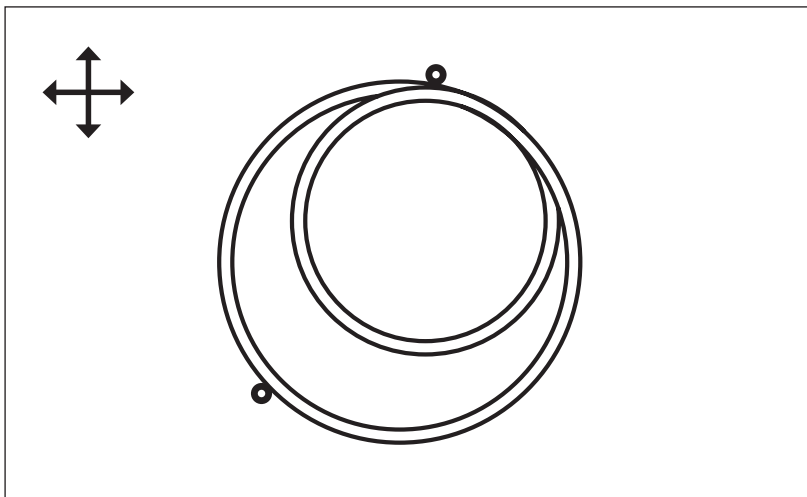
Material: Iron

Finish: Matt

Colour: Black

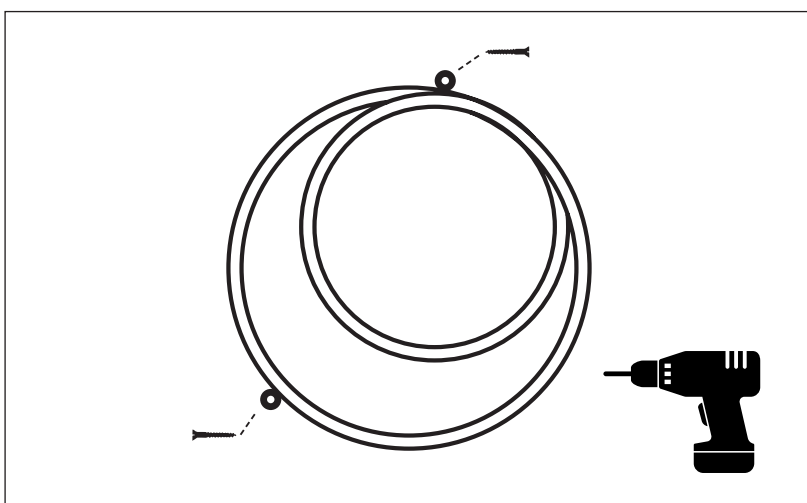
Installation Guide

Please note that different wall types require specific screws and plugs to ensure structural integrity. We recommend that the sculpture is installed by a professional art installer. Please consult with a professional before installation.



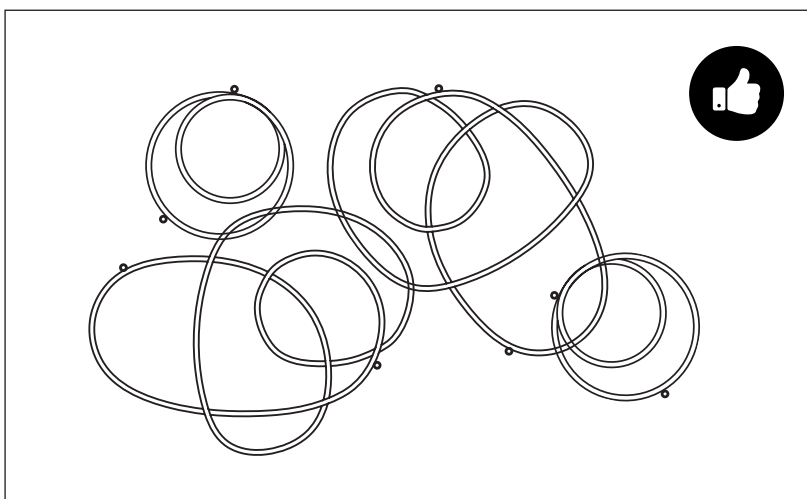
STEP 1:

Hold up the Coil Wall Sculpture at the desired position and angle on your wall.



STEP 2:

Using a drill, screw straight into the wall through the corresponding hanging fixtures in the sculpture.



STEP 3:

Repeat process as necessary with additional Coil and Whirl Wall Sculptures to build up your feature.